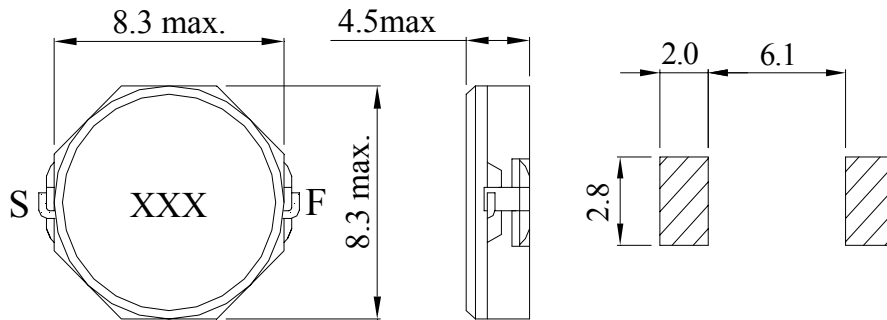




【SDRH8D43-SERIES】

DIMENSIONS & RECOMMENDED PATTERN

Land Pattern



Unit: mm

※ FEATURES

- Applications : DC to DC converter of portable equipment, camcorder, LCD television set, digital camera, P.D.A., notebook

SELECTION GUIDE FOR STANDARD COILS

SDE Part Number	Inductance (μH)	Tolerance (%)	DC Resistance (Ω) Max	Inductance Decrease Current (A) Max	Temperature Rise Current (A) Max
SDRH8D43 - R68N	0.68	± 35%	0.0095	9.00	6.90
SDRH8D43 - 1R2N	1.2	± 35%	0.0122	8.00	6.20
SDRH8D43 - 2R0N	2.0	± 30%	0.0140	7.00	5.50
SDRH8D43 - 3R9N	3.9	± 30%	0.0190	5.90	4.50
SDRH8D43 - 4R7N	4.7	± 30%	0.0220	5.60	4.10
SDRH8D43 - 6R8N	6.8	± 30%	0.0250	4.40	3.90
SDRH8D43 - 100N	10.0	± 30%	0.0360	4.00	3.20
SDRH8D43 - 150N	15.0	± 30%	0.0530	2.90	2.30
SDRH8D43 - 220N	22.0	± 30%	0.0750	2.60	1.80
SDRH8D43 - 330N	33.0	± 30%	0.1250	2.20	1.40
SDRH8D43 - 470N	47.0	± 30%	0.1500	1.80	1.30
SDRH8D43 - 680N	68.0	± 30%	0.2400	1.50	1.00
SDRH8D43 - 101N	100.0	± 30%	0.3600	1.30	0.80

※ GENERAL SPECIFICATION:

- Inductance drop =35% typ. at IDC.
- ΔT=40°C rise at IDC.
- Operating Temperature : -40°C ~ + 85°C
- Test Freq. : 100KHz / 1V.

